

For reference only. See data sheet for the detailed specifications.

Technical Specification



Frequency Range(GHz)	18.0 – 50.0
Gain(dBi)	8 Typ.
Polarization	Dual Linear
3dB Beamwidth(deg)	E Plane: 85 - 30
	H Plane: 76 - 42
Cross Pol. Isolation(dB)	30 Typ.; 20 Min.
Port to Port Isolation(dB)	35 Typ.; 25 Min.
VSWR	2.0:1 Typ.
	3.0:1 Max.
Connector	2.4mm-Female or 1.85mm-Female
Power Handling(W CW)	2.4mm-Female: 10 Max.
	1.85mm-Female: 5 Max.
Material	Al
Finish	Gold Plated, Gray Paint
Size(mm)	30.2 x 30.2 x 61.5
Net Weight(Kg)	0.08 Around

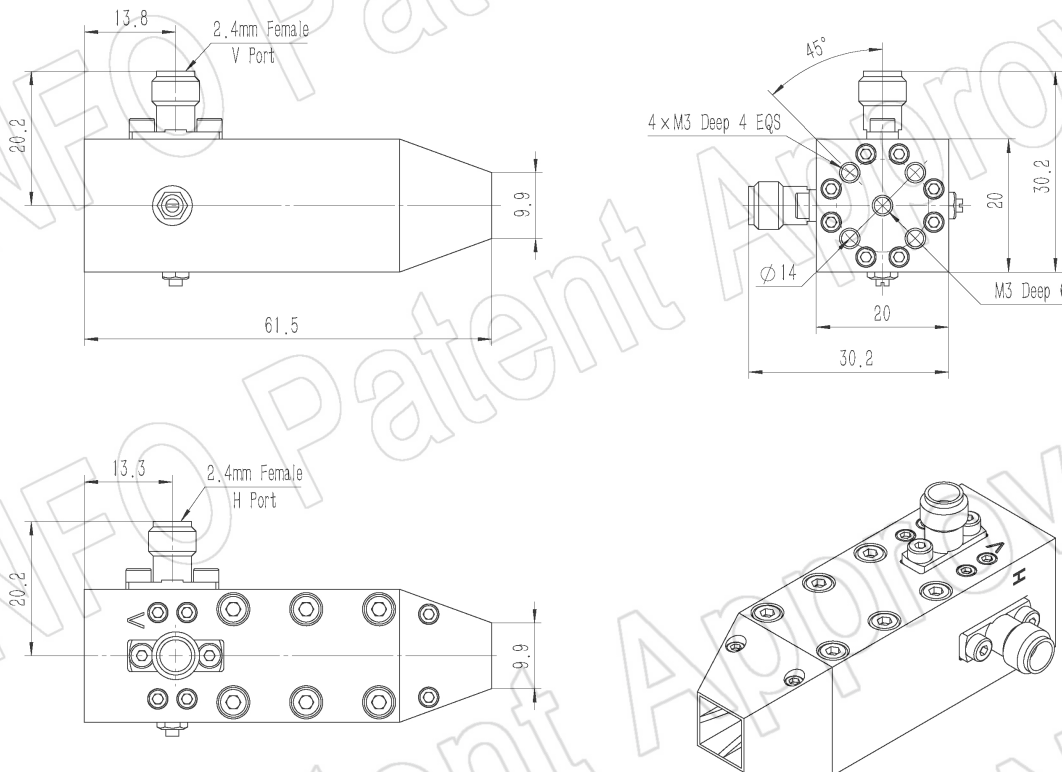
PATENT ID (China)

ZL202110169182.5, ZL202120347852.3, ZL202030751611.6

Outline Drawing (Size: mm)

2.4mm-Female Output (P/N: LB-SJ-180500L-2.4F)

For 1.85mm-Female output outline drawing, please contact A-INFO.



AINFO Inc.

China(Beijing):
China(Chengdu):
USA :

Tel: (+86) 10-6266-7326,
Tel: (+86) 28-8519-2786,
Tel: (+1) 949-639-9688,

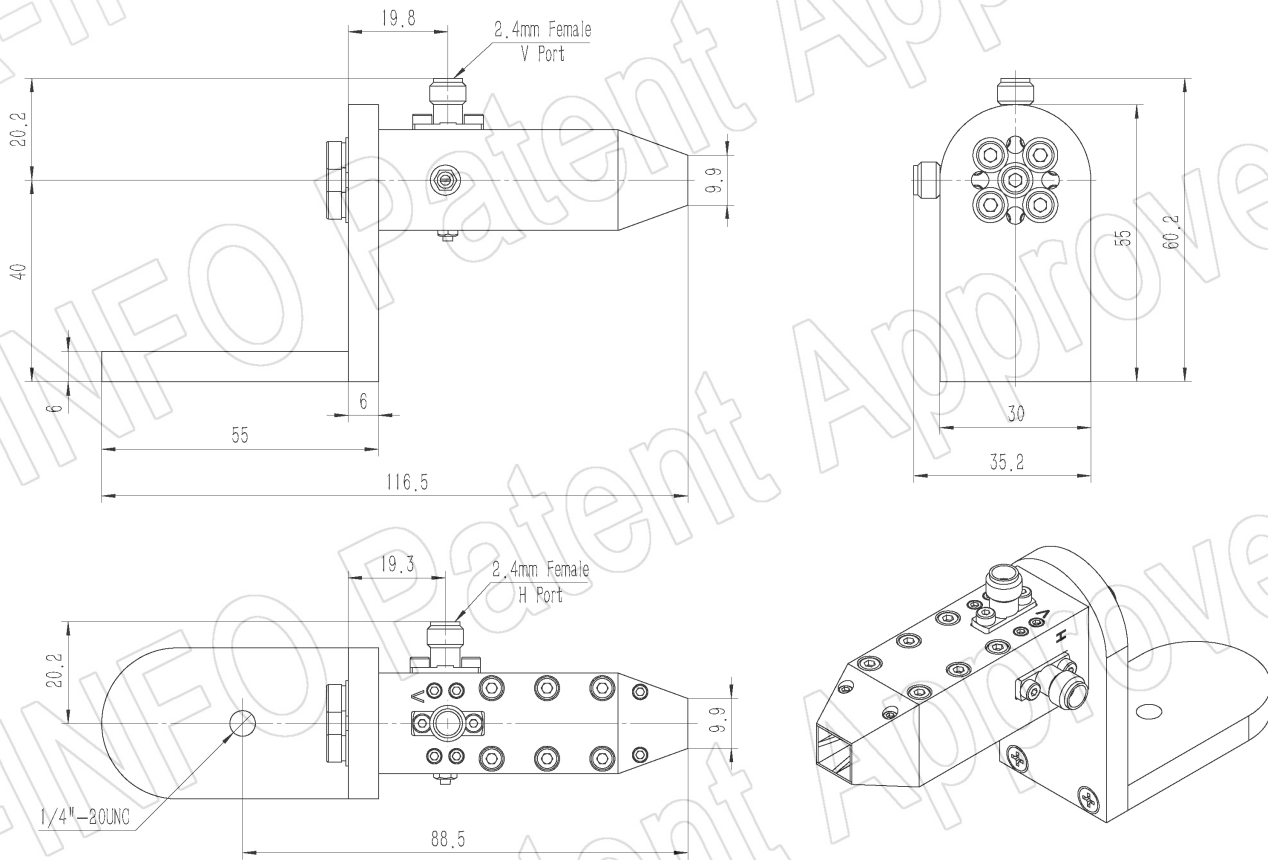
(+86) 10-6266-7327
(+86) 28-8519-3044
(+1) 949-639-9608

Fax: (+86) 10-6266-7379
Fax: (+86) 28-8519-3068
Fax: (+1) 949-639-9670

Website: www.ainfoinc.com
Email: sales@ainfoinc.com

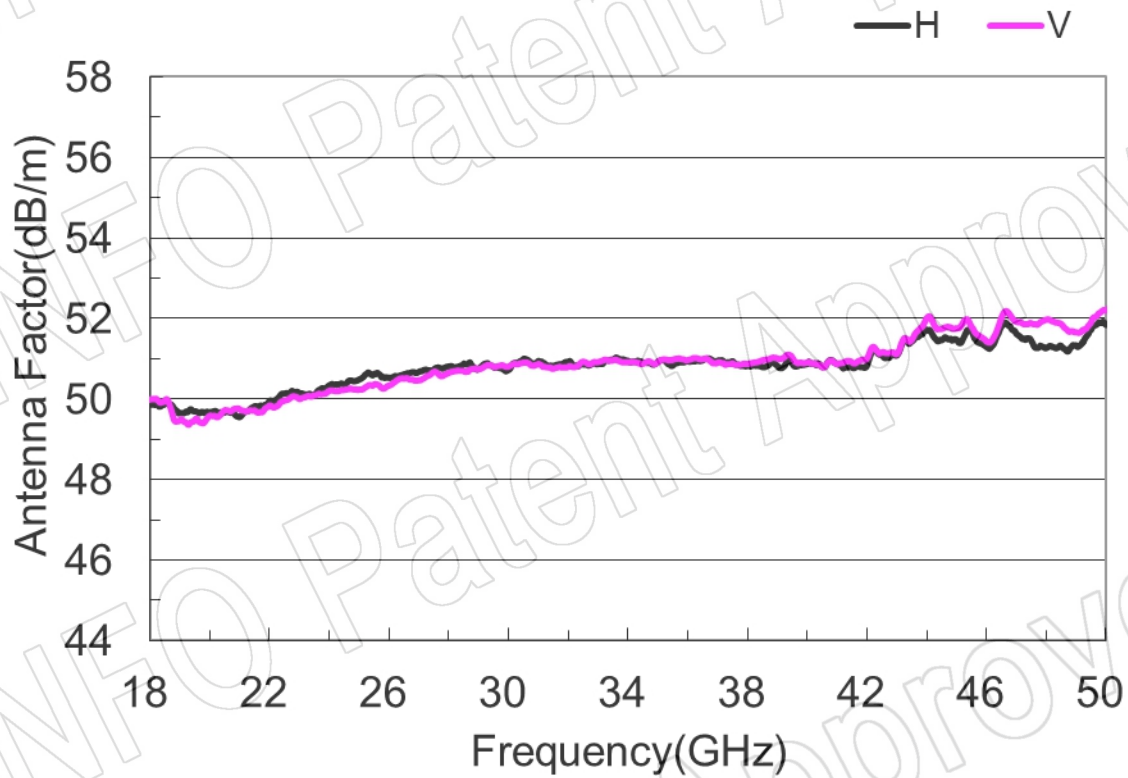
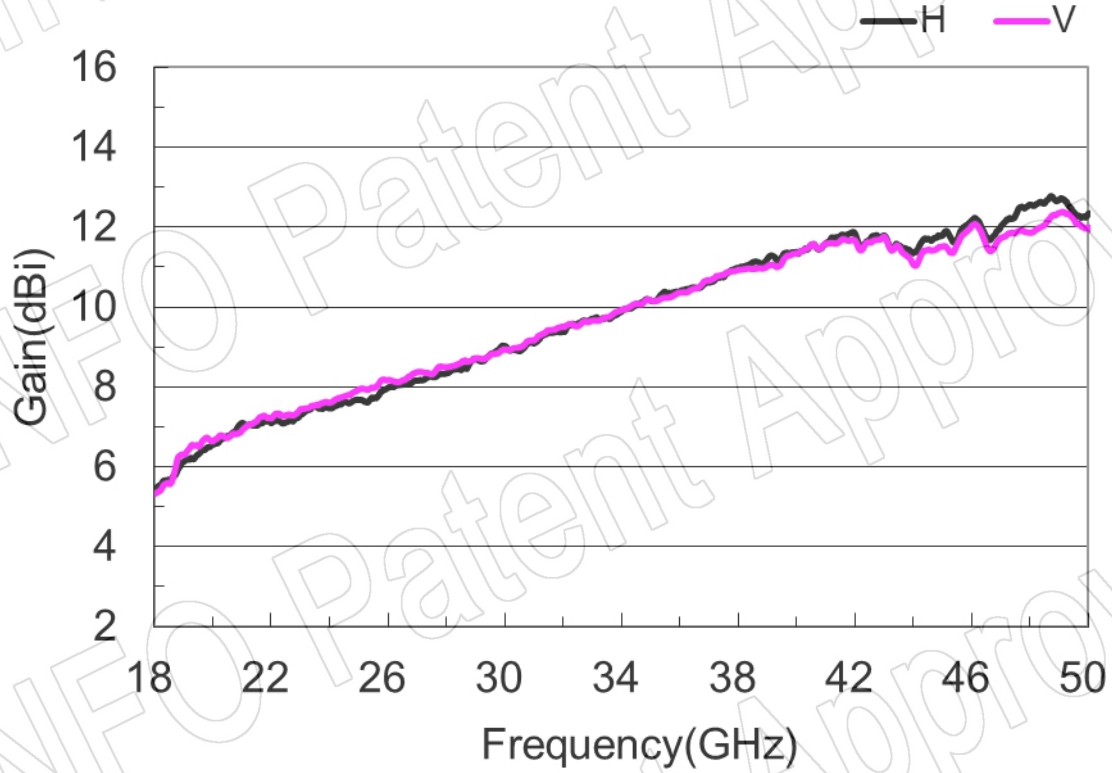
2.4mm-Female Output with L Type Mounting Bracket (Option, P/N: LB-SJ-180400-L)

For 1.85mm-Female output outline drawing, please contact A-INFO.

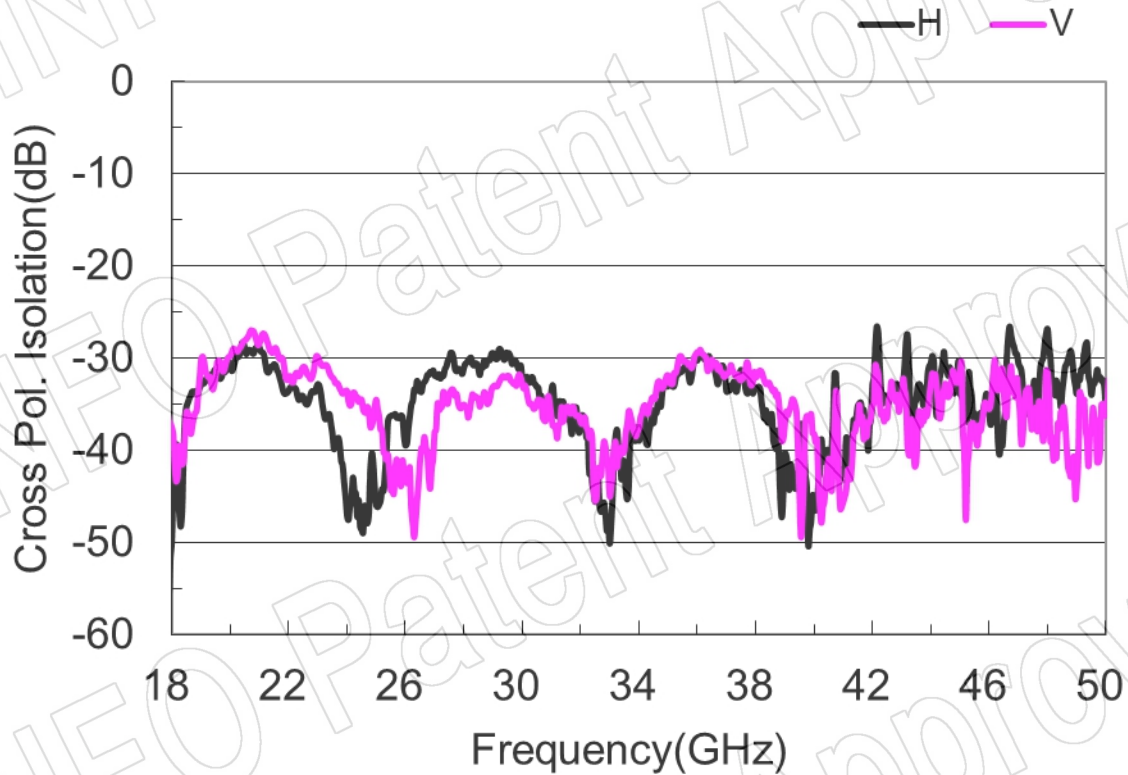


Test Results

1. Gain & Antenna Factor



2. Cross Polarization Isolation

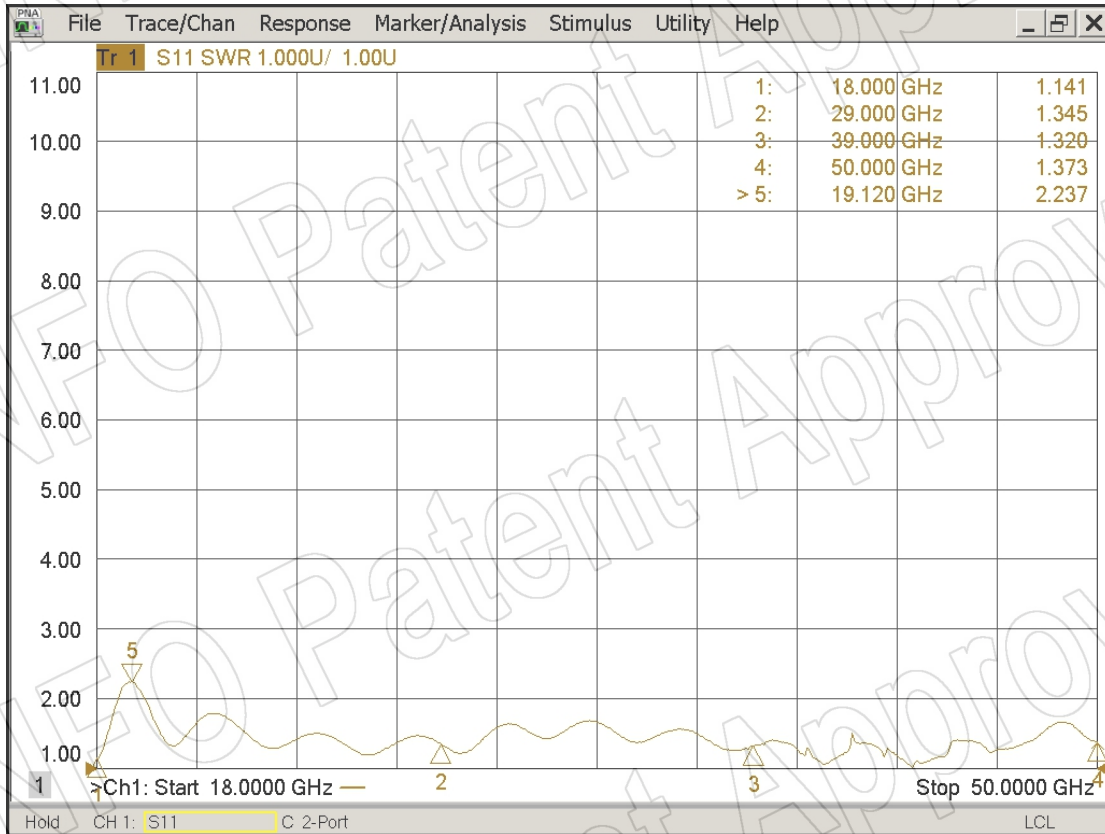


3. Port to Port Isolation

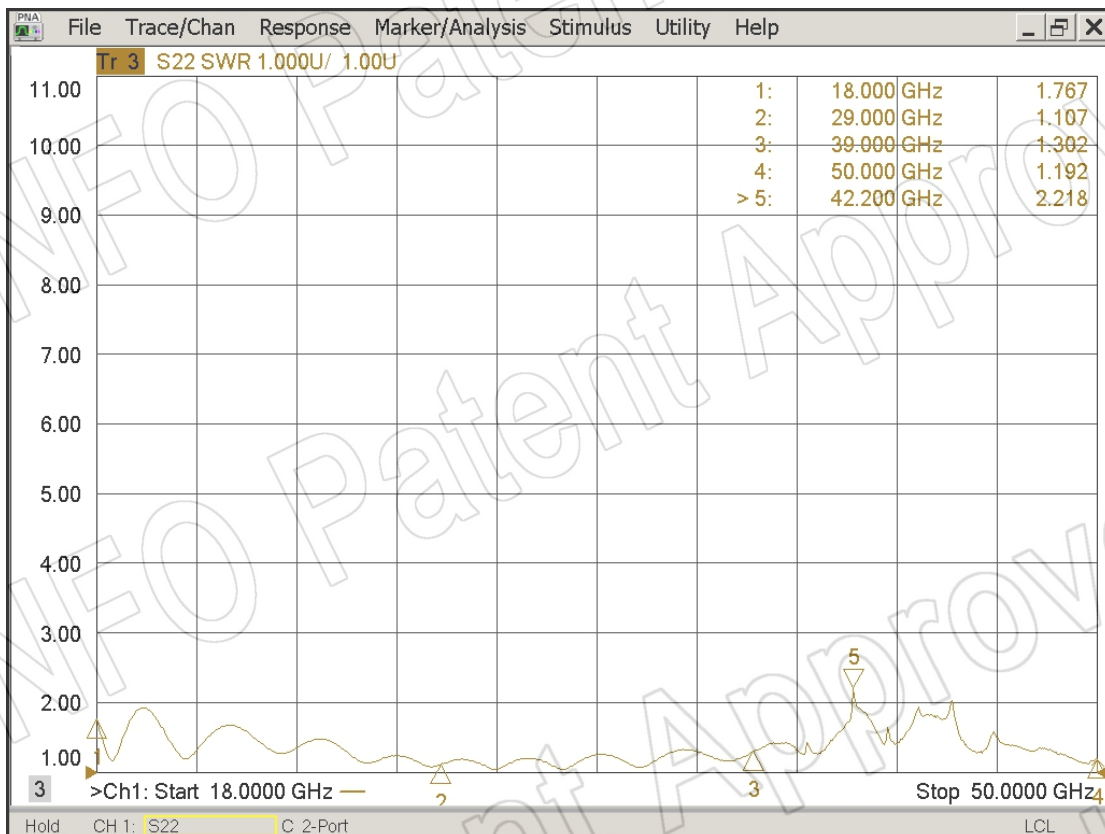


4. VSWR

Port-H



Port-V



5. Pattern

